

## Installation instructions - 10 I/Impuls

### MNKI-N, MNKI-RP-N

1.

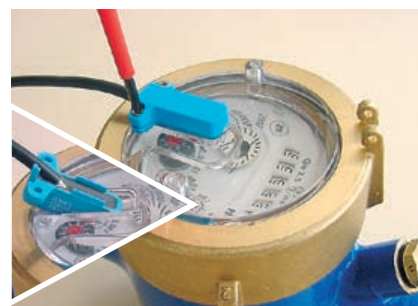
Remove the sealing sticker from the shield. Unscrew both screws and remove the magnetic shield. The screws as well as the protective shield will be later used for mounting. (Note: Cover of meter has been removed for clarity)

2.

Clean the glass face ensuring that no dirt enters into the screw drilling holes. Insert the reed switch into the slot of the glass face. Place the lid over the reed switch and insert screws as shown. Tighten the screws until the lid meets the reed switch housing and is not free to move. (Do not overtighten).

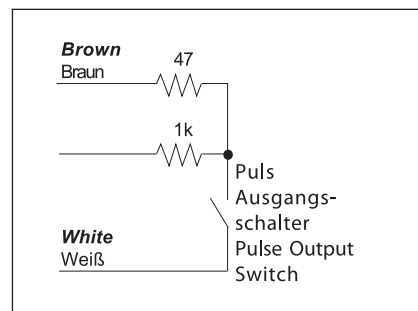
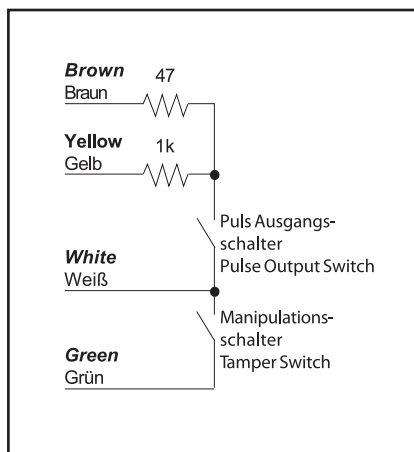
3.

Feed the cable of the reed switch through the cover of the meter. Open the magnetic shield and screw both screws (DIN 7982, B2.2x9.5). Seal one of the the screws against tampering by affixing the provided sealing sticker.



### Wire Color Code 10/100 I/Impuls

The circuit diagram and colour code for the wires is as shown below. The brown and white wires are normally connected to the remote reading equipment. Unused wires should either be terminated in a junction box or suitably sealed against water ingress when used outdoors.



Maximum Switched Voltage: 180 VDC,  
Maximum Switched Current: 500 mA,  
Maximum Switched Power: 10 W /